

# P5L Ellipsoidal Light (Track)

175W LED/ 19° / 36°



## ORDERING GUIDE

**CXP5L** -  -  -  -  - **PSP** -

### Field Angle

**19** 19°  
**36** 36°

### Mode

**CLR** All Modes  
**EZ** All EZ Modes  
**RGB** RGB Mode Only  
**CCT** Tunable CCT Mode Only  
**3200** Fixed 3200K  
**5600** Fixed 5600K

### Finish

**WH** White  
**BK** Black

### Mount

**TOX** w/ O-type DMX Track Adapter  
**TEX** w/ E-type DMX Track Adapter (Legacy product)

### Power Supply & Control

**PSP** Power Supply w/ Pass-Through DMX

### Plug/Connection

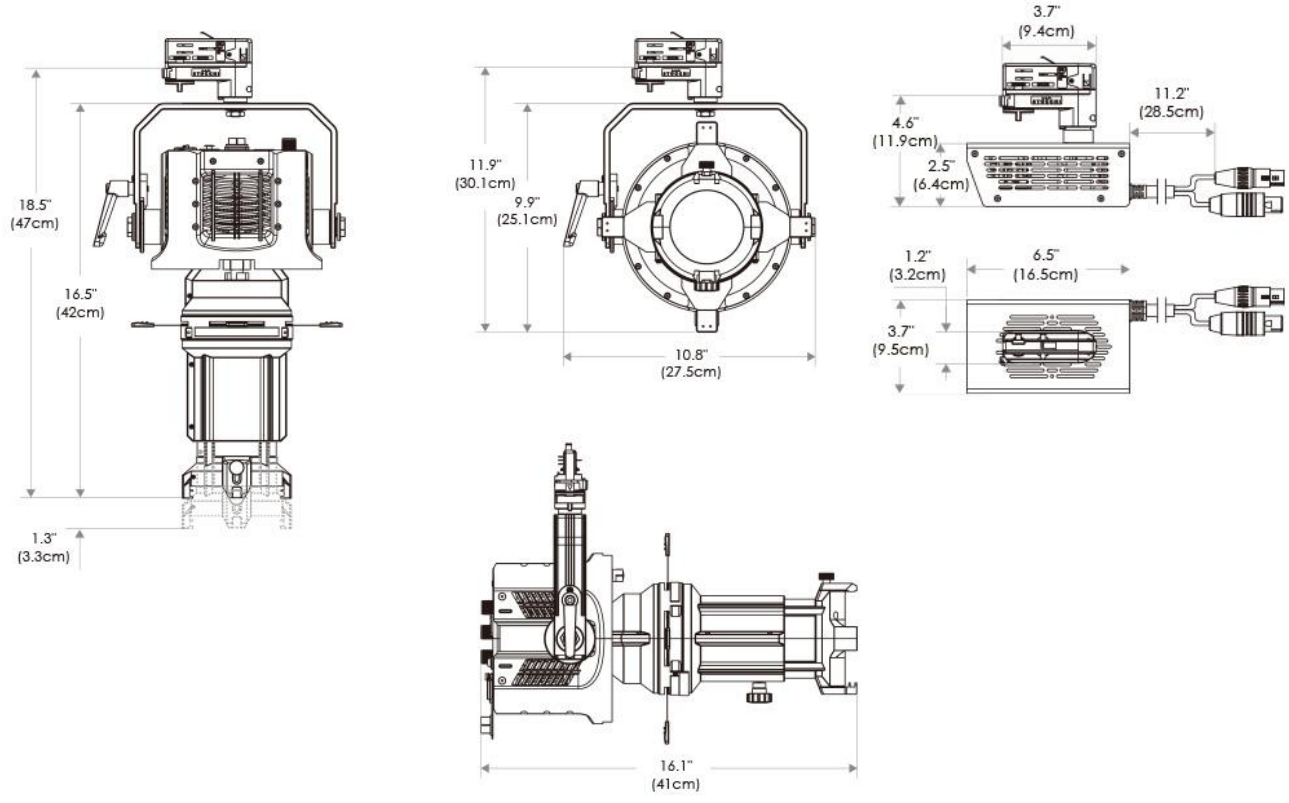
**US** US 120V  
**EU** EU 220V

## SPECIFICATIONS

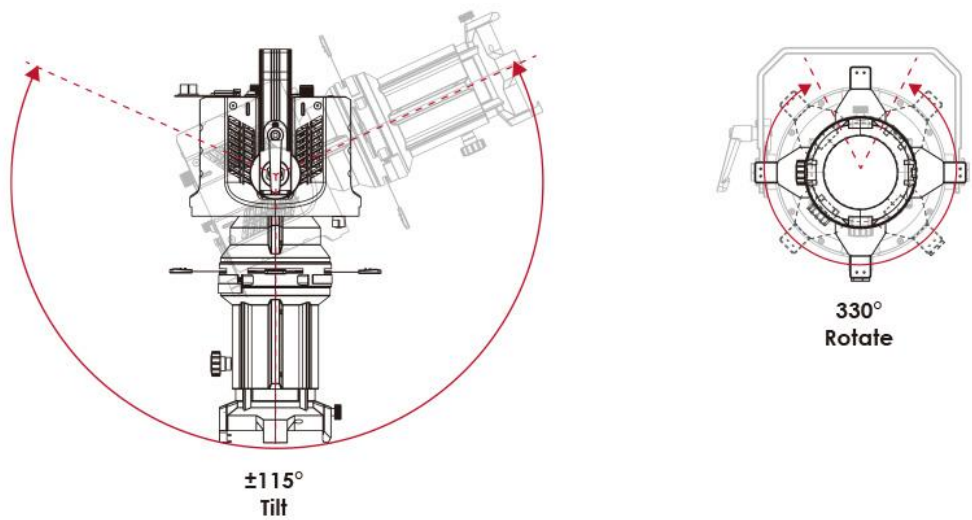
Beam Angle	19° / 36°
CRI / TLCI	95/90 typical (in CCT Mode of 2800K-6500K)
Dimming	100% - 0% flicker free
Power Draw	175W max
AC Input	100 - 240V AC, 50 - 60Hz
Remote Control	DMX 512
Cooling	Fan Cooled
Acoustic Noise	21 dBA
Operating Temp.	32 - 104°F (0 - 40°C)
Weight (Fixture + Power Supply)	10.9lb / 5.0kg
Gobo Size	Diameter: M Size (66mm)
	Max Image: 48mm
	Max Thickness: 1mm

- Cine-Grade Light Quality
- Point-Source LED
- DMX Controllable
- 175W Power Draw
- Carries Four Shutter Blades

**MECHANICAL FIGURES**

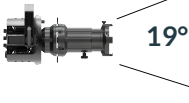


**TILT/ROTATION**

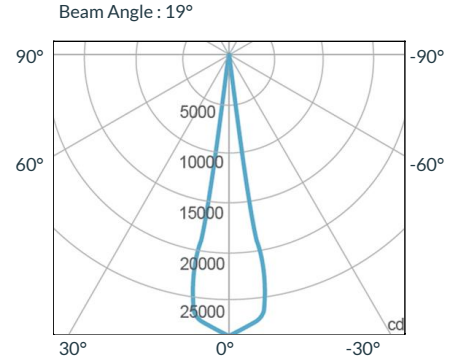


**PHOTOMETRIC DATA**

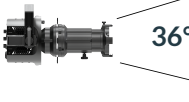
**19 Degree**



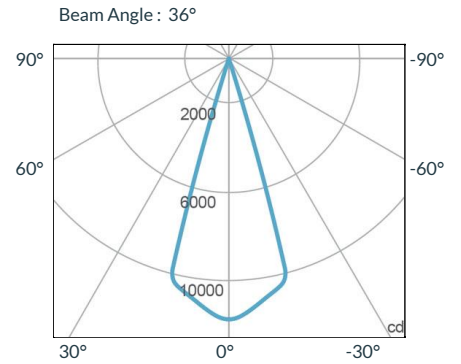
Distance		3' (~0.9 m)	10' (~3.0 m)	15' (~4.6 m)
@3200K	fc	3754	306	151
	lux	40408	3294	1626
@5600K	fc	4121	336	166
	lux	44359	3617	1787
Beam Diameter		Ø 0.9' (~0.3m)	Ø 3.1' (~0.9m)	Ø 4.6' (~1.4m)



**36 Degree**



Distance		3' (~0.9 m)	10' (~3.0 m)	15' (~4.6 m)
@3200K	fc	1454	124	60
	lux	15651	1335	646
@5600K	fc	1629	138	68
	lux	17535	1486	732
Beam Diameter		Ø 1.7' (~0.5m)	Ø 5.6' (~1.7m)	Ø 8.4' (~2.6m)



**MODE DESCRIPTION**

Mode Description	Available Modes
- CLR	All Modes (8 bit and 16 bit)
- EZ	All EZ Modes (8 bit) (EZ CCT / EZ HSI / EZ RGBW / EZ RGB / EZ ICTHS / EZ ICT RGBW / EZ 3200K / EZ 5600K)
- RGB	EZ RGB (8 bit)
- CCT	EZ CCT (8 bit)
- 3200	EZ 3200K (8 bit)
- 5600	EZ 5600K (8 bit)

See Downloads portion of webpage for full DMX profiles